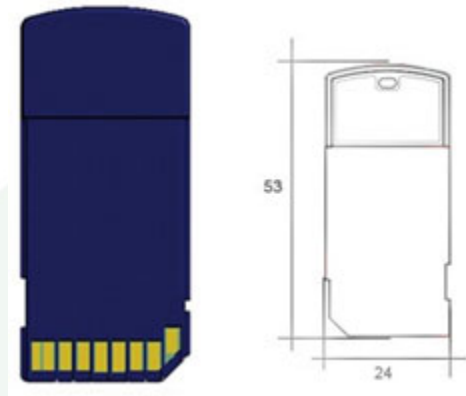


13.56MHz HF SD Interface RFID Reader



Features:

- Plug and Play
- Very small footprint -- which max volume is 24*53*8mm
- Support Microsoft Pocket PC 2002/2003, Windows Mobile 5.0/6.0, Palm OS4.1 and LINUX operating system
- Antenna Inbuilt
- Free SDK provided
- Can be easily integrated into Smart Phone, PDAs, Laptop

Specification:

- Type: SD Interface HF RFID Reader
- Operating Frequency: 13.56MHz
- Protocol: ISO 15693, ISO 14443A/B, NXP I-CODE SLI, NXP MIFARE, NXP MIFARE DES Fire, TI Tag-it HF-I
- Reading Range:
 1. ISO 15693: max 8cm--depending on tag and environment
 2. ISO 14443A/B: max 5.5cm--depending on tag and environment
- Physical Size: 24mm*53mm*8mm
- Light Indication: LED indication for standby search and data communications
- Power consumption: 5MA 3.3V
- Antenna Compatibility: Antenna Inbuilt
- Support most PDAs and Smart phones
 1. Support Microsoft Pocket PC 2002/2003, Windows Mobile 5.0/6.0
 2. Support Palm OS 4.1
 3. Support embedded LINUX